

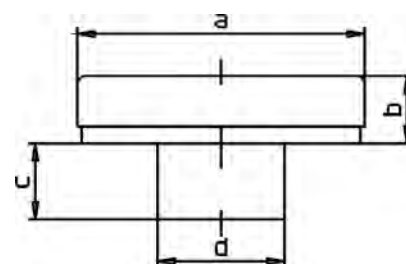


Bimetal thermometer for touching measurement
Coiled spring or via screwed connection, Class 2

TB-HW Bi014

Rel. 20180713

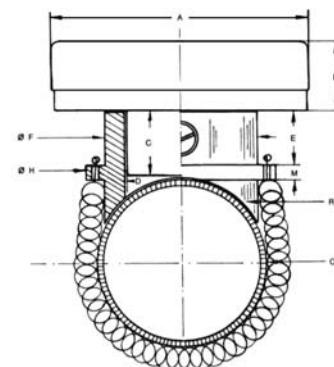
- Case:** Diam. 34 mm, steel nickel plated
- Bezel:** Steel nickel plated
- Protection class:** IP 44
- Dial:** Aluminium, white varnished
lettering and graduation black
Optional: Imprint
- Pointer:** Aluminium, black
- Window:** Instrument glass
- Mounting method:** Plug-in version, diam. 15 mm, brass nickel plated
- Connection:** Backwards
- Accuracy class:** 2.0



- Measuring range:** 0-80°C 0-50°C
- Type numbers:** 701 700

a	b	c	d
34	8	9	15

- Accessories:** Holder made of brass
with spiral spring and fixing screw
for pipes with 22 mm outer diam.
- without thermometer -
- Type number:** 730



- Accessories:** Screw connection made of brass
G 3/4 union nut and G 3/4 male thread
with socket for the thermometer
- Type number:** 731



Dimensions and technical data are conform to current company standard.
 Changes to improve our instruments will be made without preannouncement.