



- Case:** Steel zinced
- Bezel:** Steel nickel plated
- Protection class:** IP 34
- Dial:** Aluminium, white varnished
 lettering and graduation black
 Optional: Red mark
 Optional: Imprint
 Optional: Double scale °C/°F
- Pointer:** Aluminium, black
 adjustable at end of stem
 Optional: Silicone damped
- Window:** Instrument glass
 Optional: Perspex window
 Optional: Laminated safety glass
 Optional: Max. drag pointer
 Optional: Max./Min. drag pointer
 Optional: Red mark pointer
- Stem:** Brass Ø 9 mm
 Optional: Stainless steel of AISI 316 Ti

Mounting method: With back flange lightweight version, round for surface mounting on air duct

Connection: Backwards

Measuring range: 0-120°C
 Optional: see table below

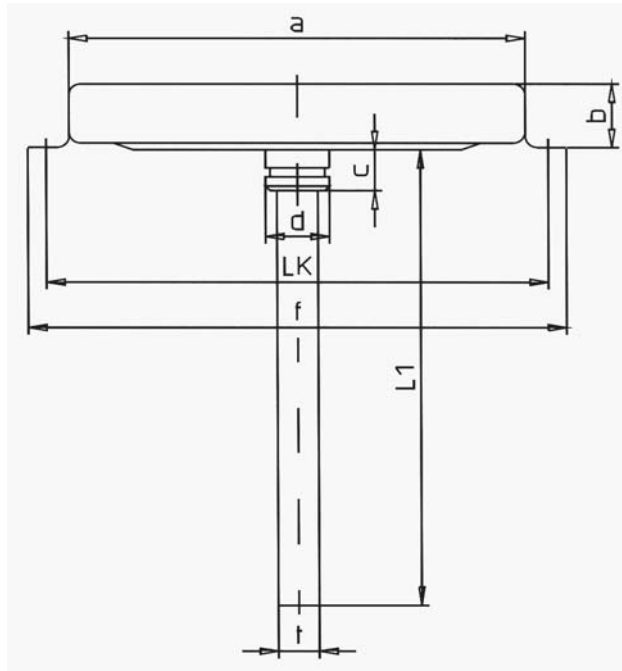
Accuracy class: 2.0
 Optional: Accuracy class 1
 Optional: Works test certificate

Measuring-range	Graduation
-40 +40°C	1°
-30 +50°C	
-20 +60°C	
-20 +40°C	
-15 +45°C	
-10 +60°C	
-10 +50°C	
0 -40°C	
0 -50°C	
0 -60°C	
0 -80°C	2°
0 -100°C	
0 -120°C	
0 -160°C	
0 -200°C	5°
0 -250°C	
0 -300°C	10°
0 -400°C	
1) 0 -500°C	
1) 0 -600°C	

		Type numbers:		
Diam.:	mm	63	80	100
Stem	50 mm	1661	1681	1701
Stem	100 mm	1662	1682	1702
Stem	150 mm	1663	1683	1703
Stem	200 mm	1664	1684	1704
Stem	250 mm	1665	1685	1705

Other lengths are available!

1) stem stainless steel needed



Type	a	b	c	d	f	LK	t
1660	63	14	9	14	82	74	9
1680	80	14	9	14	102	91	9
1700	100	14	9	14	118	110	9

Dimensions and technical data are conform to current company standard.
 Changes to improve our instruments will be made without preannouncement.