

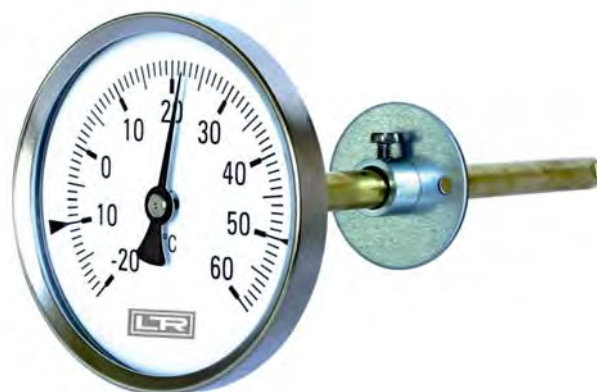


Bimetal thermometer for Air ducts
With flange, Back connection, Class 2.0

TB-HW Bi008

Rel. 20180713

- Case:** Steel zined
 Optional: Stainless steel AISI 304
- Bezel:** Steel nickel plated
 Optional: Stainless steel AISI 304
- Protection class:** IP 43
- Dial:** Aluminium, white varnished
 lettering and graduation black
 Optional: Red mark
 Optional: Imprint
 Optional: Double scale °C/°F
- Pointer:** Aluminium, black
 adjustable at end of stem
 Optional: Silicone damped
- Window:** Instrument glass
 Optional: Perspex window
 Optional: Laminated safety glass
 Optional: Max. drag pointer
 Optional: Max./Min. drag pointer
 Optional: Red mark pointer
- Stem:** Brass Ø 9 mm
 Optional: Stainless steel of AISI 316 Ti
- Mounting method:** Flange steel zined Ø 40 mm with fixing screw
 movable on stem
 diam. 160 mm, flange Ø 80 mm steel zined
 Optional: Thread G ½ B brass with fixing screw
 Optional: Flange Ø 80 steel zined
 Optional: Flange Ø 80 stainless steel



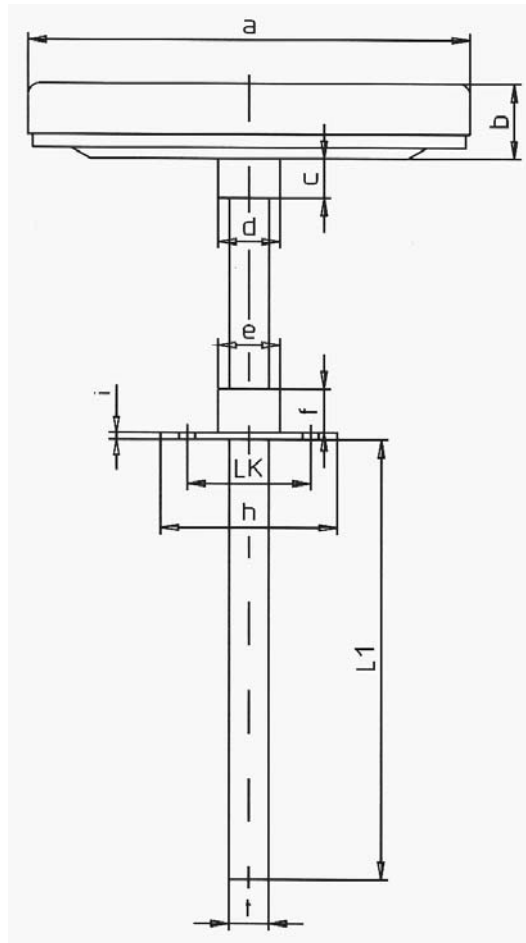
- Connection:** Backwards
- Measuring range:** 0-120°C
 - Resp. opposite
- Accuracy class:** 2.0
 - Accuracy class 1
 - Works test certificate

Measuring-range	Graduation
-40 +40°C	1°
-30 +50°C	
-20 +60°C	
-20 +40°C	
-15 +45°C	
-10 +60°C	
-10 +50°C	
0 -40°C	
0 -50°C	
0 -60°C	
0 -80°C	2°
0 -100°C	
0 -120°C	
0 -160°C	
0 -200°C	5°
0 -250°C	
0 -300°C	10°
0 -400°C	
1) 0 -500°C	
1) 0 -600°C	

Diam.:	mm	Type numbers:			
		63	80	100	160
Stem	50 mm	1261	1281	1301	1361
Stem	100 mm	1262	1282	1302	1362
Stem	150 mm	1263	1283	1303	1363
Stem	200 mm	1264	1284	1304	1364
Stem	250 mm	1265	1285	1305	1365

Other lengths are available!

1) stem stainless steel needed



Type	a	b	c	d	e	f	LK	h	i	t
1260	63	13	9	14	14	10	28	40	1,5	9
1280	80	13	9	14	14	10	28	40	1,5	9
1300	100	15	9	14	14	10	28	40	1,5	9
1360	160	19	9	14	14	10	54	80	2,0	9

Dimensions and technical data are conform to current company standard.
 Changes to improve our instruments will be made without preannouncement.