



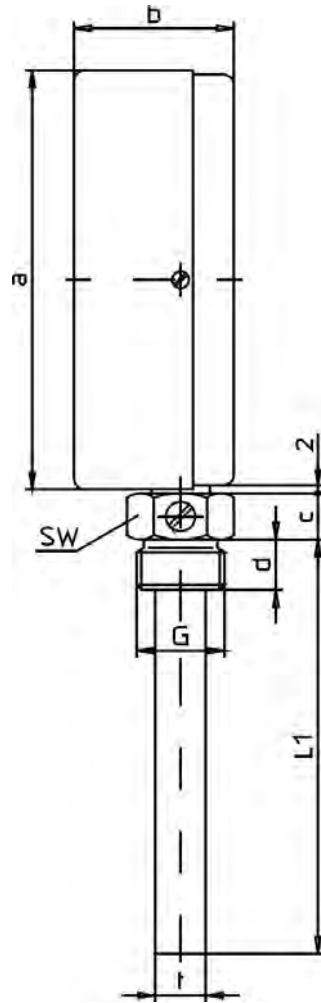
- Case:** Steel zinced
Optional: Stainless steel AISI 304 (diam. 63 and 100)
- Bezel:** Steel chromed
Optional: Stainless steel AISI 304 (diam. 63 and 100)
- Protection class:** IP 43
- Dial:** Aluminium, white varnished
lettering and graduation black
Optional: Red mark
Optional: Imprint
Optional: Double scale °C/°F
- Pointer:** Aluminium, black
adjustable at end of stem
Optional: Silicone damped
- Window:** Instrument glass
Optional: Perspex window
Optional: Red mark pointer (diam. 63-160)
- Stem:** G 1/2 B brass detachable with fixing screw
L = 28 / 45 / 50 / 63 / 100 mm solid A/F 21
other lengths multi part soldered A/F 21
Optional: other connections
- Connection:** Vertical entry
Optional: Sidewards
- Measuring range:** 0-120°C
Optional: see table below
- Accuracy class:** 1,6
Optional: Accuracy class 1
(then the type number changes from 2XXX into 3XXX)
Optional: Works test certificate



		Type number:					Measuring-range	Graduation
Diam.:	mm	50	63	80	100	160		
Stem	28 mm	2250	2260	2280	2300	2360	-40 +40°C	1°
	45 mm	2251	2261	2281	2301	2361	-30 +50°C	
							-20 +60°C	
	50 mm	2252	2262	2282	2302	2362	-20 +40°C	
	63 mm	2253	2263	2283	2303	2363	-15 +45°C	
							-10 +60°C	
	80 mm	2254	2264	2284	2304	2364	-10 +50°C	
	100 mm	2255	2265	2285	2305	2365	0 -50°C	
	120 mm	2256	2266	2286	2306	2366	0 -60°C	
	160 mm	2257	2267	2287	2307	2367	0 -80°C	
							0 -100°C	2°
							0 -120°C	
							0 -160°C	
							0 -200°C	
							0 -250°C	5°
							0 -300°C	
							0 -400°C	10°
							1) 0 -500°C	
							1) 0 -600°C	

Other lengths are available! Stem 28 mm only 0-100 and 0-120°C available!
Measuring span 50 and 60°C shortest stem = 100 mm max. 200 mm!

1) stem stainless steel needed



Type	a	b	c	d	SW	G	t
2250	50	35	11	12	21	½ B	12
2260	63	36	11	12	21	½ B	12
2280	80	36	11	12	21	½ B	12
2300	100	38	11	12	21	½ B	12
2360	160	38	11	12	21	½ B	12

0	1	2	3	4	5	6	9
separate pocket with male thread and fixing screw	fixed connection male thread	union nut female thread	union nut with double nipple male thread	union nut with additional thermowell acc. to DIN 43 772 form 8	turnable male thread	movable clamp connection male thread	separate pocket for welding with fixing screw

Dimensions and technical data are conform to current company standard.
Changes to improve our instruments will be made without preannouncement.