



- Case:** Steel zinced
Optional: Stainless steel AISI 304
- Bezel:** Steel nickel plated
Optional: Stainless steel AISI 304
- Protection class:** IP 43
- Dial:** Aluminium, white varnished
lettering and graduation black
Optional: Red mark
Optional: Imprint
Optional: Double scale °C/°F
- Pointer:** Aluminium, black
adjustable at end of stem
Optional: Silicone damped
- Window:** Instrument glass
Optional: Perspex window
Optional: Max. drag pointer (diam. 63-160)
Optional: Max./Min. drag pointer (diam. 63-160)
Optional: Red mark pointer (diam. 63-160)
- Stem:** G 1/2 B brass detachable with fixing screw
L = 28 / 45 / 50 / 63 / 100 mm solid A/F 21
Other lengths multi part soldered A/F 21
Optional: other connections
- Connection:** Backwards
- Measuring range:** 0-120°C
Optional: see table below

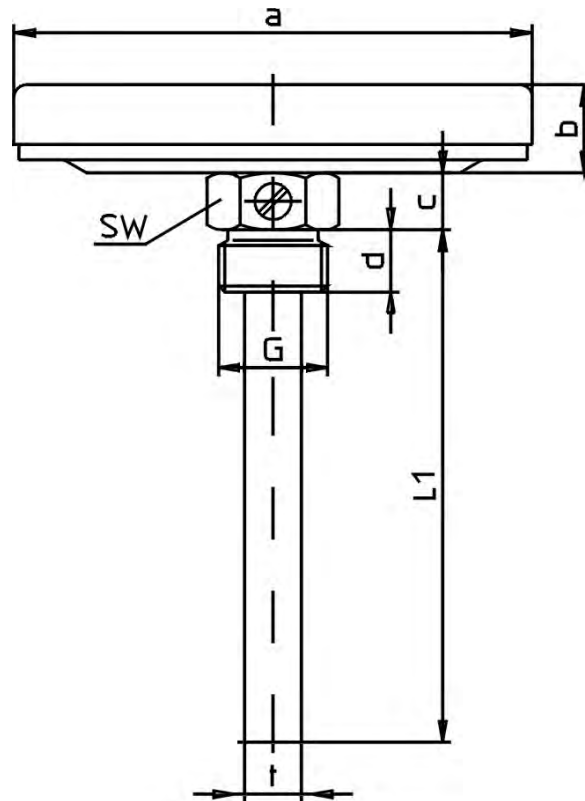


- Accuracy class:** 1,6
Optional: Accuracy class 1
(then the type number changes from 2XXX into 3XXX)
Optional: Works test certificate

		Type number:						Measuring-range	Graduation		
Diam.:	mm	34	50	63	80	100	160				
Stem	28 mm	2030	2050	2060	2080	2100	2160	-40 +40°C -30 +50°C -20 +60°C -20 +40°C -15 +45°C -10 +60°C -10 +50°C 1) 0 -40°C 1) 0 -50°C 0 -60°C 0 -80°C	1°		
	45 mm	2031	2051	2061	2081	2101	2161				
	50 mm	2032	2052	2062	2082	2102	2162				
	63 mm	2033	2053	2063	2083	2103	2163				
	80 mm	2034	2054	2064	2084	2104	2164			0 -100°C 0 -120°C 0 -160°C 0 -200°C	2°
	100 mm	2035	2055	2065	2085	2105	2165				
	120 mm	2036	2056	2066	2086	2106	2166			0 -250°C 0 -300°C	5°
	160 mm	2037	2057	2067	2087	2107	2167				
	200 mm	2038	2058	2068	2088	2108	2168			0 -400°C 2) 0 -500°C 2) 0 -600°C	10°
	250 mm	2039	2059	2069	2089	2109	2169				

Other lengths are available!
Stem 28 mm only 0-100 and 0-120°C available!
Stem 45 mm shortest measuring span = 60°C!

1) shortest stem length 63 mm
2) stem stainless steel needed



Type	a	b	c	d	SW	G	t
2030	34	9	11	12	21	½ B	12
2050	50	12	11	12	21	½ B	12
2060	63	13	11	12	21	½ B	12
2080	80	13	11	12	21	½ B	12
2100	100	15	11	12	21	½ B	12
2160	160	19	11	12	21	½ B	12

0	1	2	3	4	5	6	9
separate pocket with male thread and fixing screw	fixed connection male thread	union nut female thread	union nut with double nipple male thread	union nut with additional thermowell acc. to DIN 43 772 form 8	turnable male thread	movable clamp connection male thread	separate pocket for welding with fixing screw

Dimensions and technical data are conform to current company standard.
Changes to improve our instruments will be made without preannouncement.