

Digital Pressure Gauge DMG 03
for low pressure, vacuum and differential
pressure, ranges 0/2,5 mbar to 0/1000 mbar
with internal pressure sensor.
Panel mounting 96 x 48 mm

- Supervision of blowers and airfilters
- Controlling of aircurrents and liquidlevels
- Pressurecontrolling in cleanrooms
- Medical engineerings

Description:

The Digital Pressure Gauge **DMG 03** are measuring positive or negative overpressure, and differential pressure, and optionally volume current. The measured values are shown on a 3,5 digit LED with 14.2 mm high figures. An analogue output 0-10 V is standard. Because of the use of piezoresistive sensors, the **DMG 03** reaches a high reliability and precision. The solid aluminium housing for panel mounting possesses a high mechanical stability and very good EMV properties.

A red LED on the front of the instruments indicates in case of overpressure. The **DMG 03** is also available with a second analogue output 4-20 mA, with switch-outputs(s) or with RS232 interface (see table below). Each instrument is supplied with an inspection certificate of accuracy.



Available Types:

Type	Output 1	Output 2
Type DMG 03-1	Analogue Output 0-10 V	(no)
Type DMG 03-2	Analogue Output 0-10 V	2 swicht-outpus
Type DMG 03-3	Analogue Output 0-10 V	Analogue Output 4-20 mA
Type DMG 03-4	Analogue Output 0-10 V	RS232-Interface

Electronic absorbtion of the output signals 0-10 V or 4-20 mA.

Available Ranges:

Pressure Range (mbar)	Pressure Range (kPa)	Over-pressure (mbar)	Linear Error (max.)	Temp. Error max 0-50 /C	Long-term stability	Repeat-ability	Response Time
0 - 2.5	0 - 0.25	250	± 1% FS	± 2% FS	2% / year	0.3% FS	1 ms
0 - 5	0 - 0,5			± 1% FS	1% / year	0.2% FS	
0 - 10	0 - 1	375	± 0,6% FS	± 0,7% FS	0.1% / year	0.1% FS	
0 - 25	0 - 2,5						
0 - 100	0 - 10	750	± 0,6% FS	± 0,7% FS	0.1% / year	0.1% FS	
0 - 250	0 - 25	1125					
0 - 500	0 - 50	triple	± 0,6% FS	± 0,7% FS	0.1% / year	0.1% FS	
0 - 1000	0 - 100						
700-1100 absolute	70-110 absolute	triple	± 0.9 mbar	2.3 mbar	0.1% / year	0.1 % FS	1 ms

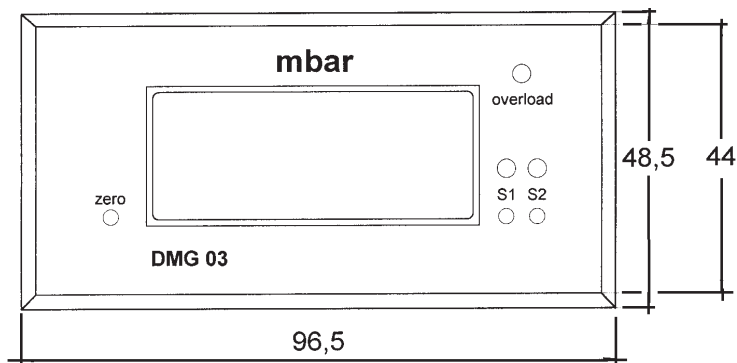
All pressure ranges: Response time incl. electr. absorbtion: 2.5 seconds.

Technical Data:

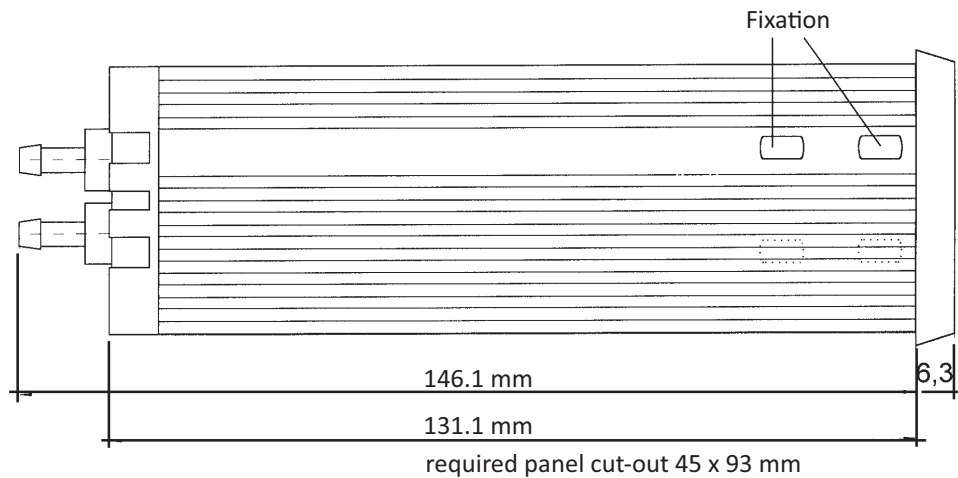
Operating temperature:	-20°C...+70°C
Hysteresis:	0.1%
Compatible media:	Air, non-aggressive gases
Output Signal:	all Types: 0-10 V, Type DMG03-3 in addition 4-20 mA, $R_i \leq 2 \text{ k}\Omega$
Power Supply:	15...24 VDC (optional: 230 VAC $\pm 10\%$)
Electrical Connections:	Plug with 7-pole depth clamp for 0.14-1.5 mm ²
Pressure Connection:	2 connections for tube 4 mm inner diameter
Optional Switches (Type DMG 03-2):	Load 230 VAC / 1 A, Hysteresis appr. 2% FS
Optional RS232 (Type DMG 03-4):	8 bit, no parity, 1 stop-bit, 9600 baud, xon/xoff-handshake
Weight:	appr. 380 g
Protection:	IP 54 (front plate)

Dimension:

Front plate



Side view



Back view

